

2.6mm Indoor Fixed LED Display Unit

MW7826-FI



Features

- Advanced grayscale gives detailed and realistic images.
- High refresh rate, high brightness, no glare, better viewing experience.
- Seamlessly splice images without black lines on the screen.
- Slim and light die-cast aluminum cabinet.
- Modular installation with a magnetic suction tool, simple and stylish appearance.
- Quick lock design for quick installation with only one person.
- Front/rear maintenance.
- Power supply with a wide input voltage range, strong adaptability.
- Long lifetime.
- Low heat, excellent heat dissipation, no noise.
- Low failure rate and maintenance cost.

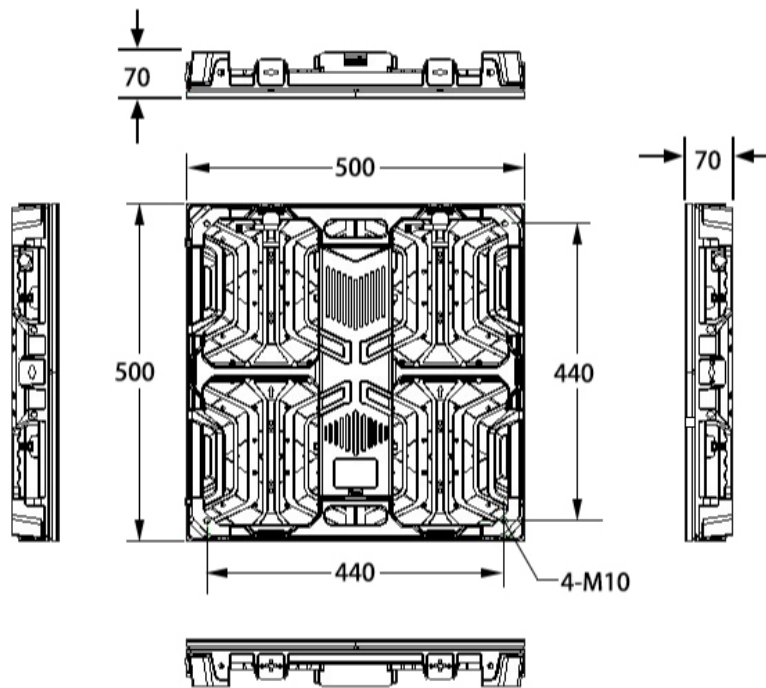
- Ultra-wide viewing angle ensures satisfactory viewing experience from diversified angles.

Specifications

Module	Description
Pixel Pitch	P2.6
Module Resolution (W x H)	96 x 96
Module Dimensions (mm)	250 x 250
Cabinet	Description
Cabinet Dimensions (W x H x D) (mm)	500 x 500 x 70
Cabinet Resolution (W x H)	192 x 192
Material	Die-cast aluminum
Processing Image	Description
Single Pixel Brightness Correction	Support
Single Pixel Color Correction	Support
Brightness (nits)	600-700
Color Temperature (K)	2000 to 9500
Viewing Angle (H/V)	160° /140°
Center Distance Deviation of LED	<3%
Brightness Uniformity	≥95%
Color Uniformity (Cx, Cy)	±0.003
Contrast Ratio	5000:1
Processing performance	Description
Pixel Density (pitch/m ²)	147456
Grayscale	14bit
Scanning Mode	32 S
Drive Mode	Constant current driving
Refresh Rate (Hz)	≥3840
Electrical	Description
Power Supply	AC 100 to 240 V
Average Power Consumption (W/m ²)	164
Max. Power Consumption (W/m ²)	490
General	Description
Maintenance Mode	Front/rear maintenance
Ingress Protection	Front/rear: IP30
Weight (Kg/pcs)	7 ± 0.5

Operating Temperature	-10° C to +40° C
Operating Humidity	10% to 80% RH, non-condensing
Storage Temperature	-20° C to +60° C
Storage Humidity	10% to 85% RH, non-condensing
LED Lifetime (h)	100000
Certifications	CE/FCC/ETL

Dimensions



Ordering Info

Product Model	Description
MW7826-FI	2.6mm Indoor Fixed LED Display

Zhejiang Uniview Technologies Co., Ltd.

No. 369, Xietong Road, Xixing Sub-district, Binjiang District, Hangzhou City, 310051, Zhejiang Province, China

Email: overseasbusiness@uniview.com; globalsupport@uniview.com

<http://www.uniview.com>

©2023-2024 Zhejiang Uniview Technologies Co., Ltd. All rights reserved.

*Product specifications and availability are subject to change without notice.

*Despite our best efforts, technical or typographical errors may exist in this document. Uniview cannot be held responsible for any such errors and reserves the right to change the contents of this document without prior notice.

